



Magneto-Optical Magneto-Electrical

Closed Cycle Cryostat

ARS Displex for Magneto-Optical experiments, the narrow profile of the cryocooler, inline motor configuration, offers the unique possibility of positioning the tip of cryocooler with sample installed at the coldest point inside the poles of a very narrow magnet gap. No extension required. This allows a fast response between the sample and cryocooler as well as the lowest temperature at the sample.

Model:

CS202A-x12	<9K	
CS202A(7)-x12	<9K	Turbo - for Higher Power
CS202N-x12	<6K	
CS202S-x12	<4K	

Also available:

CS204 with FMX-12
CS210 with GMX-12 for high cooling power.

Applications:

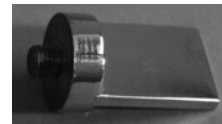
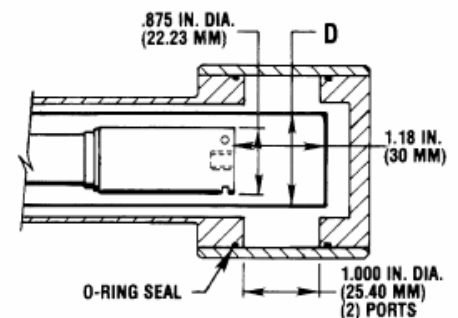
Magnetic Susceptibility. Electro-Optical, **Magneto-Optical**.
Hall Measurements. UV, Vis, IR, Electro and Photoluminescence, DLTS, Resistivity.

Design Features:

- 2 Window ports.
- Will fit into Magnet gap = 1.7 in. (DMX-12)
- Will fit into Magnet gap = 1.4 in. (DMX-12B)
- No extension required to reach the magnet poles. This means no thermal lag between sample and cryocooler
- Sample space; 1.1 in (Diameter) * 1.1 in. (long). (DMX-12)
- Sample space; 1.0 in (Diameter) * 1.1 in. (long). (DMX-12B)
- Pneumatic Drive Displex Cryocooler for low vibrations at the sample (see Specifications).
- Vacuum Shroud; Aluminium for low magnetic permeability.
- Windows with large "F" angle.
- Vacuum Shroud; Rotatable under vacuum. Double O-ring.
- Sample in vacuum.
- Sample Holders: Mag/Electr, or Mag/Opt. made of OFHC copper for good thermal conductivity. With or without nickle plating (Specify)
- Metallized thermofoil heater for long heater life.
- Vacuum valve with NW-25 flange installed.
- Three Instrumentation Ports. One used for temperature control instrumentation. Two are blanked off and user configurable for electrical experiments.



DE-202S
4K to 325K



Magneto Electrical
Sample Holder -Flat
Plate



Optional Hall Probe
Sample Holder. 2, 4 or
6 probes available.



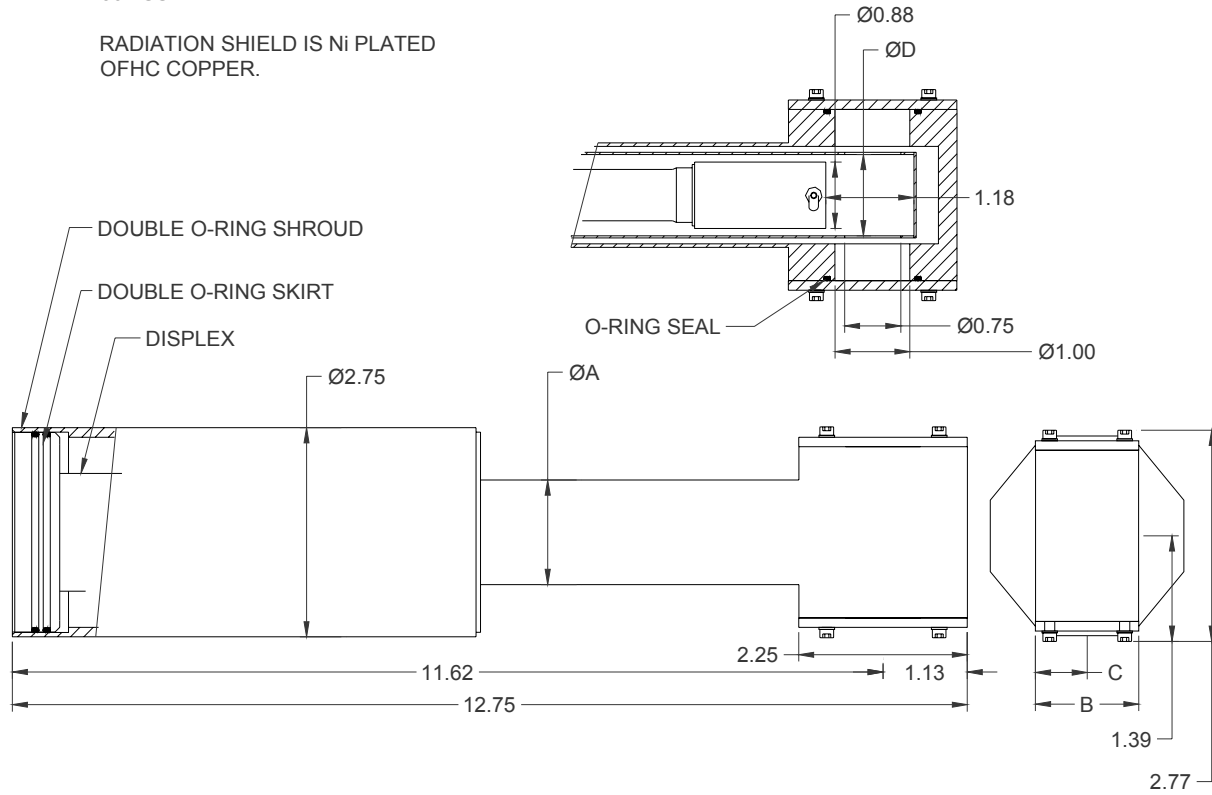
DMX-12 Shroud, Radiation
Shield and Sample holder



Magneto-Optical Magneto-Electrical

MATERIALS FOR VACUUM SHROUD
AND PORT COVERS ARE ALUMINUM.
MOUNTING HARDWARE ARE
304 SS.

RADIATION SHIELD IS Ni PLATED
OFHC COPPER.



Shroud Dimensions				
Model:	Dia A	B	C	Dia D
DMX-12	1.62	1.62	0.81	1.12
DMX-12B	1.37	1.37	0.68	1.07